

EN

ORIGINAL INSTRUCTIONS
HIGH-PERFORMANCE AIR
PURIFIER



Table of contents

Notes regarding the instructions 2

Safety 2

Information about the device 5

Transport and storage 6

Assembly and installation 6

Operation 7

Available accessories 7

Errors and faults 8

Maintenance 8



Technical annex 12





Disposal 16

Declaration of conformity 16

Notes regarding the instructions

Symbols

-  **Warning of electrical voltage**
This symbol indicates dangers to the life and health of persons due to electrical voltage.
-  **Warning**
This signal word indicates a hazard with an average risk level which, if not avoided, can result in serious injury or death.
-  **Caution**
This signal word indicates a hazard with a low risk level which, if not avoided, can result in minor or moderate injury.
- Note**
This signal word indicates important information (e.g. material damage), but does not indicate hazards.
-  **Info**
Information marked with this symbol helps you to carry out your tasks quickly and safely.
-  **Follow the manual**
Information marked with this symbol indicates that the instructions must be observed.

-  **Wear safety glasses**
Information marked with this symbol indicates that you should wear eye protection.
-  **Wear protective gloves**
Information marked with this symbol indicates that you should wear protective gloves.
-  **Wear a protective mask**
Information marked with this symbol indicates that you should wear a protective mask (FFP2 mask).
-  **Wear foot protection**
Information marked with this symbol indicates that you should wear safety boots.

You can download the current version of the instructions and the EU declaration of conformity via the following link:




TAC BASIC



<https://hub.trotec.com/?id=45166>

Safety

Read this manual carefully before starting or using the device. Always store the manual in the immediate vicinity of the device or its site of use.

-  **Warning**
Read all safety warnings and all instructions. Failure to follow the warnings and instructions may result in electric shock, fire and/or serious injury. **Save all warnings and instructions for future reference.**
This appliance can be used by children aged from 8 years and above and persons with reduced physical, sensory or mental capabilities or lack of experience and knowledge if they have been given supervision or instruction concerning use of the appliance in a safe way and understand the hazards involved.
Children shall not play with the appliance. Cleaning and user maintenance shall not be made by children without supervision.



Warning

Children of less than 3 years should be kept away from the device unless continuously supervised.

Children aged from 3 years and less than 8 years shall only switch on/off the appliance provided that it has been placed or installed in its intended normal operating position and they have been given supervision or instruction concerning use of the appliance in a safe way and understand the hazards involved.

Children aged from 3 years and less than 8 years shall not plug in, regulate and clean the appliance or perform user maintenance.

- Do not use the device in potentially explosive rooms or areas and do not install it there.
- Do not use the device in aggressive atmosphere.
- Only put up the device in an upright, stable position on firm ground.
- Let the device dry out after a wet clean. Do not operate it when wet.
- Do not use the device with wet or damp hands.
- Do not expose the device to directly squirting water.
- Never insert any objects or limbs into the device.
- Do not cover or transport the device during operation.
- Do not sit on the device.
- This appliance is not a toy. Keep away from children and animals. Do not leave the device unattended during operation.
- Check accessories and connection parts for possible damage prior to every use of the device. Do not use any defective devices or device parts.
- Ensure that all electric cables outside of the device are protected from damage (e.g. caused by animals). Never use the device if electric cables or the power connection are damaged!
- The mains connection must correspond to the specifications in the Technical annex.
- Insert the mains plug into a properly fused mains socket.
- Observe the technical data when selecting extensions to the power cable. Completely unroll the extension cable. Avoid electrical overload.
- Before carrying out maintenance, care or repair work on the device, remove the mains plug from the mains socket. Hold onto the mains plug while doing so.
- Switch the device off and disconnect the power cable from the mains socket when the device is not in use.

- Do not under any circumstances use the device if you detect damages on the mains plug or power cable. If the power cable is damaged, it must be replaced by the manufacturer, its service agent or similarly qualified persons in order to avoid a hazard. Defective power cables pose a serious health risk!
- When positioning the device, observe the minimum distances from walls and other objects as well as the storage and operating conditions specified in the Technical annex.
- Make sure that the air inlet and outlet are not obstructed.
- Make sure that there are no loose items or dirt located in the immediate surroundings of air inlet and air outlet.
- Do not remove any safety signs, stickers or labels from the device. Keep all safety signs, stickers and labels in legible condition.
- Make sure that the suction side is kept free of dirt and loose objects.
- Dispose of replaced filters properly, especially after filtering substances hazardous to health.
- Never use the device as storage place or footstep.
- Do not move the device when switched on.

Intended use

Only use the device to clean atmospheric air whilst adhering to the technical data and the safety warnings. The device serves for air purification in highly frequented public areas, such as:

- Supermarkets and DIY stores
- Chemist's shops and pharmacies
- Electronic stores
- Gyms
- Waiting and reception areas
- Trade stands
- Dining rooms
- Emergency camps
- Ships
- Senior citizens home
- Schools
- Conference facilities
- Production halls

Moreover, the device serves for cleaning dust contaminated air in working zones. The device filters viruses, dust and micro fibres of paper and textiles directly at the workplace.

The device may only be used in the commercial sector and in the industry.

Foreseeable misuse

- Do not place the device on wet or flooded ground.
- Do not place any objects, e.g. clothing, on the device.
- Do not use the device out of doors.
- Do not use the device to siphon off vapours or fluids.
- Any use other than the intended use is regarded as a reasonably foreseeable misuse.
- Any unauthorised modifications, alterations or structural changes to the device are forbidden.

Personnel qualifications

People who use this device must:

- be aware of the dangers that occur when working with electrically driven air cleaners.
- have read and understood the instructions, especially the Safety chapter.

Instructed person

Instructed persons have been informed of the tasks they were entrusted with as well as of potential hazards resulting from inappropriate behaviour. They are allowed to operate and transport the device and perform simple maintenance activities (cleaning the housing, cleaning the fan).

The device is to be maintained and looked after by instructed personnel.

Residual risks



Warning of electrical voltage

Work on the electrical components must only be carried out by an authorised specialist company!



Warning of electrical voltage

Before any work on the device, remove the mains plug from the mains socket!
Do not touch the mains plug with wet or damp hands. Hold onto the mains plug while pulling the power cable out of the mains socket.



Warning

Dangers can occur at the device when it is used by untrained people in an unprofessional or improper way! Observe the personnel qualifications!



Warning

The device is not a toy and does not belong in the hands of children.



Warning

Risk of suffocation!
Do not leave the packaging lying around. Children may use it as a dangerous toy.

Note

Do not operate the device without an air filter inserted into the air inlet!
Without the air filter, the inside of the device will be heavily contaminated. This could reduce the performance and result in damage to the device.

Note

Do not use abrasive cleaners or solvents to clean the device.

Behaviour in the event of an emergency

1. Switch the device off.
2. In an emergency, disconnect the device from the mains feed-in: Hold onto the mains plug while pulling the power cable out of the mains socket.
3. Do not reconnect a defective device to the mains.

Information about the device

Device description

The device reduces intensity and time aerosol particles and suspended matter stay in the air, effectively operating directly at the site of installation.

Wherever this flexible high-performance air purifier will be positioned: Depending on the required air change rate, the device will produce a purified and filtered "clean air zone".

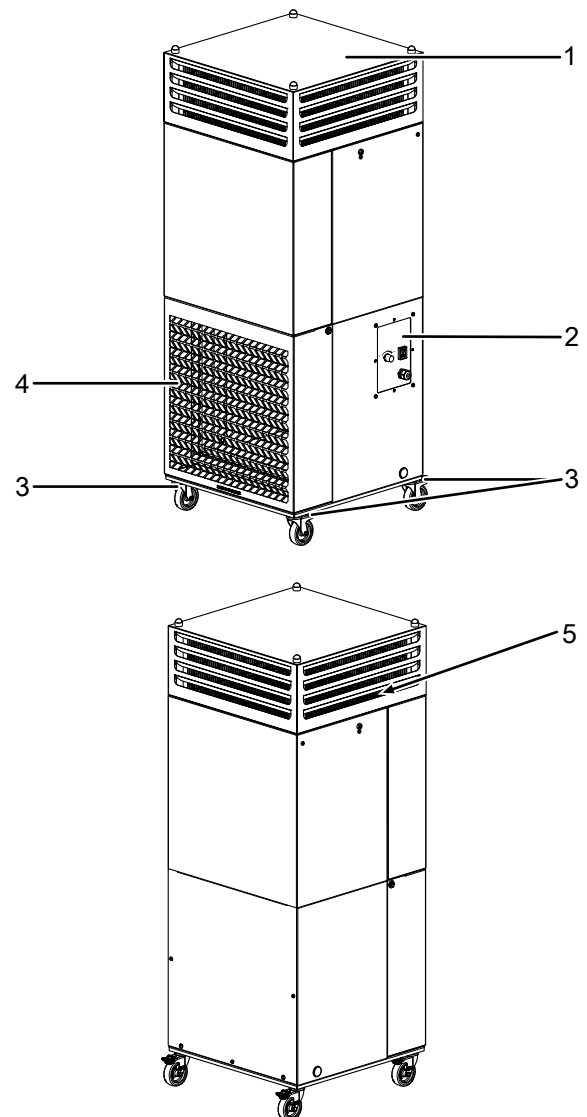
In this treatment zone, the surrounding air will be prevented from germs, fine particulates or other airborne micro particles since the device is able to perform large-volume air intakes of contaminated room air. All thanks to effective H14 HEPA filtration and a flexibly adjustable air circulation for the respective zone that will be free from aerosol particles.

In combination with the integrated G4 Z line prefilter system, the Trotec H14 HEPA filter guarantees to separate airborne germs, viruses and dust, bacteria, spores or micro fibres from paper or textiles.

This way, the device significantly reduces the airborne risk of infection in highly frequented public zones and guarantees dust-free working conditions in contaminated working zones.

The device is equipped with a silent function enabling an ultra-silent operation.

Device depiction



No.	Designation
1	DualDecon blowing-out tower
2	Operating elements
3	Swivel casters with parking brakes
4	Air inlet with air filter
5	HEPA air filter

Transport and storage

Note

If you store or transport the device improperly, the device may be damaged.

Note the information regarding transport and storage of the device.

Transport

To make the device easier to transport, it is fitted with lockable castors.

Before transporting the device, observe the following:

- Switch the device off.
- Hold onto the mains plug while pulling the power cable out of the mains socket.
- Do not use the power cable to drag the device.
- Only wheel the device on a level and smooth surface.
- Remove all packing materials which serve to protect the device during transport.
- Should the device be damaged, please contact the responsible dealer or manufacturer, where the purchase was made.

After transporting the device, proceed as follows:

- Set up the device in an upright position after transport.
- Lock the swivel castors.

Storage

When the device is not being used, observe the following storage conditions:

- dry and protected from frost and heat
- in an upright position where it is protected from dust and direct sunlight
- with a cover to protect it from invasive dust, if necessary
- Before restarting the device, check the condition of the power cable. If there are doubts as to the sound condition, contact the customer service.
- Have the device checked once a year by an electrically skilled person at any rate.

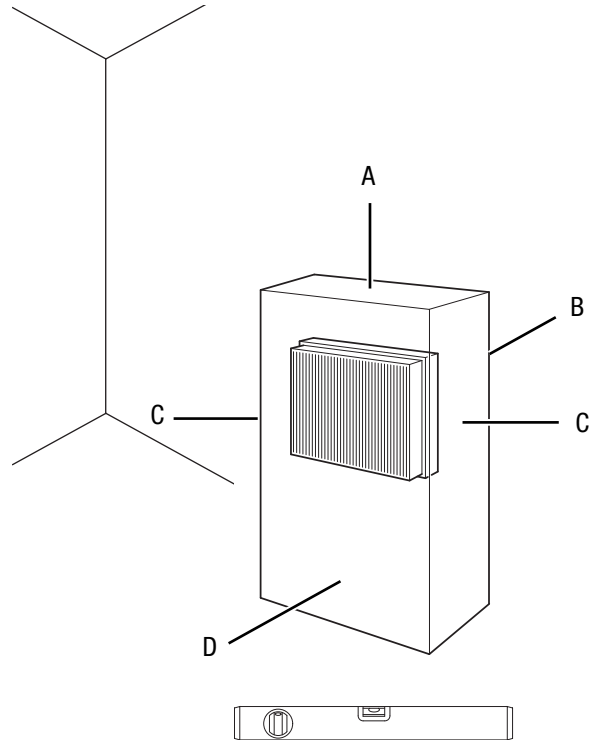
Assembly and installation

Scope of delivery

- 1 x Device
- 1 x Air filter prefilter G4 Z line
- 1 x HEPA filter
- 1 x Manual

Start-up

When positioning the device, observe the minimum distance from walls or other objects as described in the chapter Technical annex.



- The device may only be used in environments with no excessive formation of dust.
- Set the device up in an upright and stable position.
- Position the device on even and stable ground in a way to prevent it from tipping over.
- When setting up the device, ensure a sufficient distance for air inlet and outlet as well as for operation (see Technical data).
- Make sure that extension cables are completely unrolled.
- When positioning the device, keep a sufficient distance to heat sources.
- Make sure that no curtains or other objects interfere with the air flow.

Inserting the air filter

Note

Do not operate the device without an air filter inserted into the air inlet!

Without the air filter, the inside of the device will be heavily contaminated. This could reduce the performance and result in damage to the device.

- Make sure that the air filter is installed before switching the device on.

Attaching a flowstop shutter

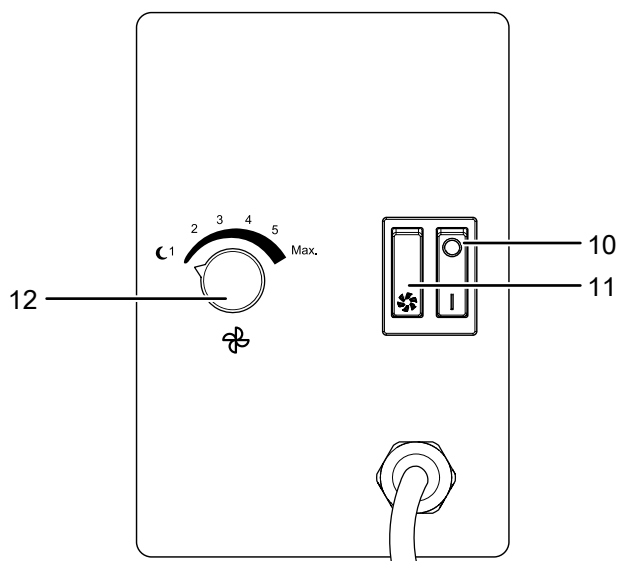
The optional flowstop shutters can be attached to one of the four insides of the tower. This prevents up to three sides of the tower from discharging air, e.g. if discharged air is not desired or not required on the respective side(s).

Connecting the power cable

- Insert the mains plug into a properly fused mains socket.

Operation

Operating elements



No.	Designation	Meaning
10	On/off switch	Switching the device on or off; Is illuminated when the device is switched on
11	Silent switch	Switching the silent function on or off
12	Operating switch	Adjusting the fan stage

Switching the device on

1. Once you have completely installed the device as described in the chapter Assembly and installation, you can switch it on.
2. Set the *on/off switch* (10) to position I.
 - ⇒ The *on/off switch* (10) is illuminated.
 - ⇒ The device is switched on and runs at the set fan speed.

Setting the fan stage

- ✓ The device is switched on.
1. Set the *silent switch* (11) to the position of the fan symbol.
 2. Turn the operating switch (12) clockwise to the respective stages 1, 2, 3, 4, 5 or max.
 - ⇒ The selected fan stage will start running.

Setpoint stage	Air volume value in m ³ /h	Filter class*
		Standard filter
1	600 m ³ /h	H14
2	800 m ³ /h	H14
3	1000 m ³ /h	H14
4	1200 m ³ /h	H13
5	1400 m ³ /h*	H13
Max.	1600 m ³ /h	H13

* At an air volume flow of more than 1200 m³/h the filter class of the H14 HEPA standard filter will be reduced.

Silent function

The silent function enables an ultra-silent operation at a low fan stage.

Switch the *silent* switch (11) to the position without fan symbol to activate the silent function.

Shutdown



Warning of electrical voltage

Do not touch the mains plug with wet or damp hands.

1. Press the *on/off* button (10) to switch the device off.
2. Remove the mains plug from the mains socket.
3. Clean the device according to the Maintenance chapter.
4. Store the device according to the Storage chapter.

Available accessories



Warning

Only use accessories and additional equipment specified in the instructions. Using insertion tools or accessories other than those specified in the instructions may cause a risk of injury.

Designation	Article number
H14 HEPA filter	7.160.000.113
H14 HEPA HighFlow Filter	7.160.000.114
F7 pleated filter	7.160.000.449
G4 Z-line prefilter	7.160.000.453
Silencer sound protection	6.100.007.062
Attachment hood for hose connection	6.100.007.061
Flowstop shutter	6.100.007.063

Errors and faults

The device has been checked for proper functioning several times during production. If malfunctions occur nonetheless, check the device according to the following list.

The device does not start:

- Check the power connection.
- Check the power cable and mains plug for damage.
- Check the on-site fusing.
- Wait for 10 minutes before restarting the device. The fan motor may be overheated and must cool down. If the device is not starting, have the electrics checked by a specialist company or by Trotec.

The device is loud or vibrates:

- Check whether the device is set up in a stable and upright position.

The device gets very warm, is loud or is losing performance:

- Check the air inlets and air filters for dirt. Remove external dirt.
- From the outside, check the device for dirt (see chapter Maintenance). If the inside of the device is dirty, have it cleaned by a specialist company or by Trotec.

The device still does not operate correctly after these checks:

Please contact the customer service. If necessary, bring the device to an authorised specialist electrical company or to Trotec for repair.

Maintenance

The device is designed for long hours of operation with minimum maintenance effort. Safe operation of the device requires all built-in components to be checked and cleaned after 12 months at the latest or after 4000 operating hours as well as all damaged components to be replaced.

In order to benefit from an optimal operation of the air cleaner we recommend using our maintenance service once a year. The maintenance service consists of changing the filter, cleaning and disinfecting the interior and exterior of the device and checking functions and all safety devices. This way you ensure your device to maintain a perfectly clean condition while reliably filtering viruses and aerosols from the room air for many ongoing years – without you needing to worry about it anymore. We'll get in touch with you regarding your service intervals. For an all-round safe operation, we recommend concluding a maintenance agreement. Please contact our customer service.

Maintenance intervals

Maintenance and care interval	before every start-up	as needed	at least every 4 weeks	at least every 6 months	at least annually	2,000 operating hours / 1-2 years
Check air filter, air inlets and outlets for dirt and foreign objects and clean if necessary	X					
Exterior and interior cleaning		X			X	
Visually check the inside of the device for dirt		X	X			
Replace the H14 filter						X
Replace G4 Z-line prefilter				X		
Check for damage	X					
Check the attachment screws		X			X	
Test run					X	

Maintenance and care log

Device type:

Device number:

Maintenance and care interval	1	2	3	4	5	6	7	8	9	10	11	12	13	14	15	16
Check air filter, air inlets and outlets for dirt and foreign objects and clean if necessary																
Clean the exterior																
Visually check the inside of the device for dirt																
Replace the H14 filter																
Replace the G4 Z-line prefilter																
Check for damage																
Check the attachment screws																
Test run																
Remarks:																

1. Date: Signature:	2nd Date: Signature:	Third Date: Signature:	4. Date: Signature:
5. Date: Signature:	6. Date: Signature:	7. Date: Signature:	8. Date: Signature:
9. Date: Signature:	10. Date: Signature:	11. Date: Signature:	12. Date: Signature:
13. Date: Signature:	14. Date: Signature:	15. Date: Signature:	16. Date: Signature:

Activities required before starting maintenance



Warning of electrical voltage

Do not touch the mains plug with wet or damp hands.

- Switch the device off.
- Hold onto the mains plug while pulling the power cable out of the mains socket.



Warning of electrical voltage

Tasks which require the device to be opened must only be carried out by authorised specialist companies or by Trotec.



Warning

Observe local provisions and regulations on hygiene when cleaning. Protect yourself during cleaning and maintenance work with suitable protective equipment (e.g. protective mask, protective glasses and gloves).



Note

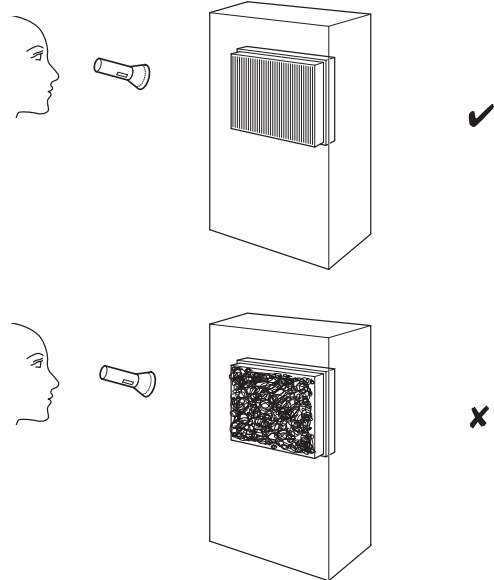
Prior to cleaning the interior, protect the fan and further electrical components from water ingress with appropriate means.

Cleaning the housing

Clean the housing with a soft, damp and lint-free cloth. Make sure that no moisture enters the housing. Protect electrical components from moisture. Do not use any aggressive cleaning agents such as cleaning sprays, solvents, alcohol-based or abrasive cleaners to dampen the cloth.

Visual inspection of the inside of the device for dirt

1. Remove the air filters.
2. Use a torch to illuminate the openings of the device.
3. Check the inside of the device for dirt.
4. If you see a thick layer of dust, clean the inside of the device with a vacuum cleaner.
5. Reinsert the air filters.



Filter change



Warning

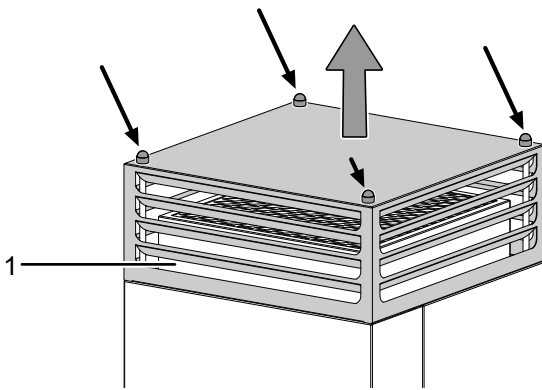
Use an FFP2 mask and disposable gloves when changing the filter.



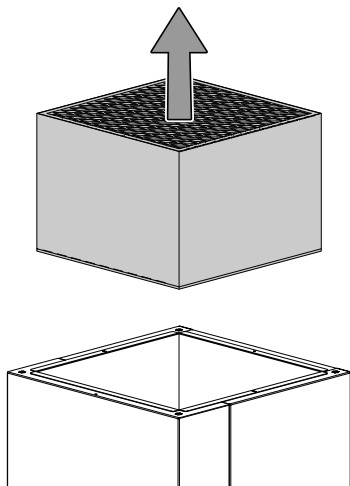
The filter change intervals depend on the degree of air pollution and the filter quality. Dirty filters impair the performance ability of the device.

Please proceed as follows to change the H14 HEPA filter:

1. Using a screwdriver, remove the protective caps of the 4 screws from the top of the device.
2. Remove all 4 screws.
3. Take off the blowing-out tower (1) from the device and carefully put aside.



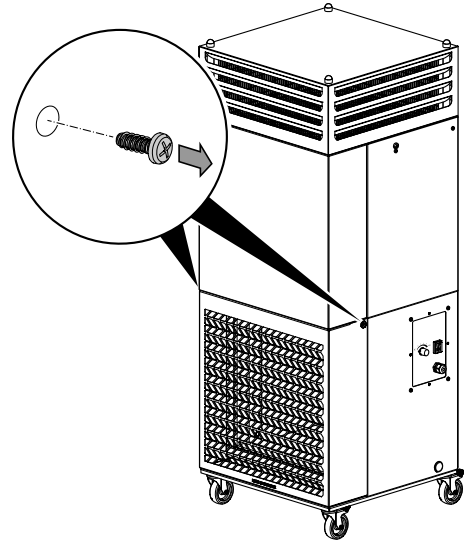
4. Remove the H14 HEPA filter from the device.



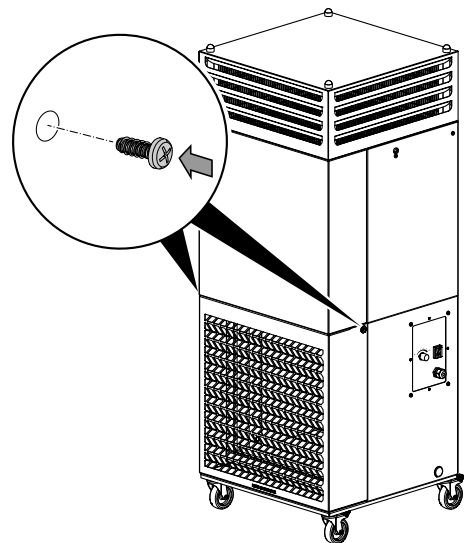
5. Put the worn H14 HEPA filter in a bag and dispose of it in the household waste.
6. Thoroughly clean the housing from the inside and outside (see Cleaning the housing).
7. Install a new HEPA air filter.
8. Fit the blowing-out tower back on the device.
9. Fasten the blowing-out tower by means of the screws.
10. Put the protective caps back on the screws.

Please proceed as follows to change the G4 filter:

1. Loosen the screws on the air inlet on both sides of the device and remove the air inlet with the air filter by folding the holder out towards the front.



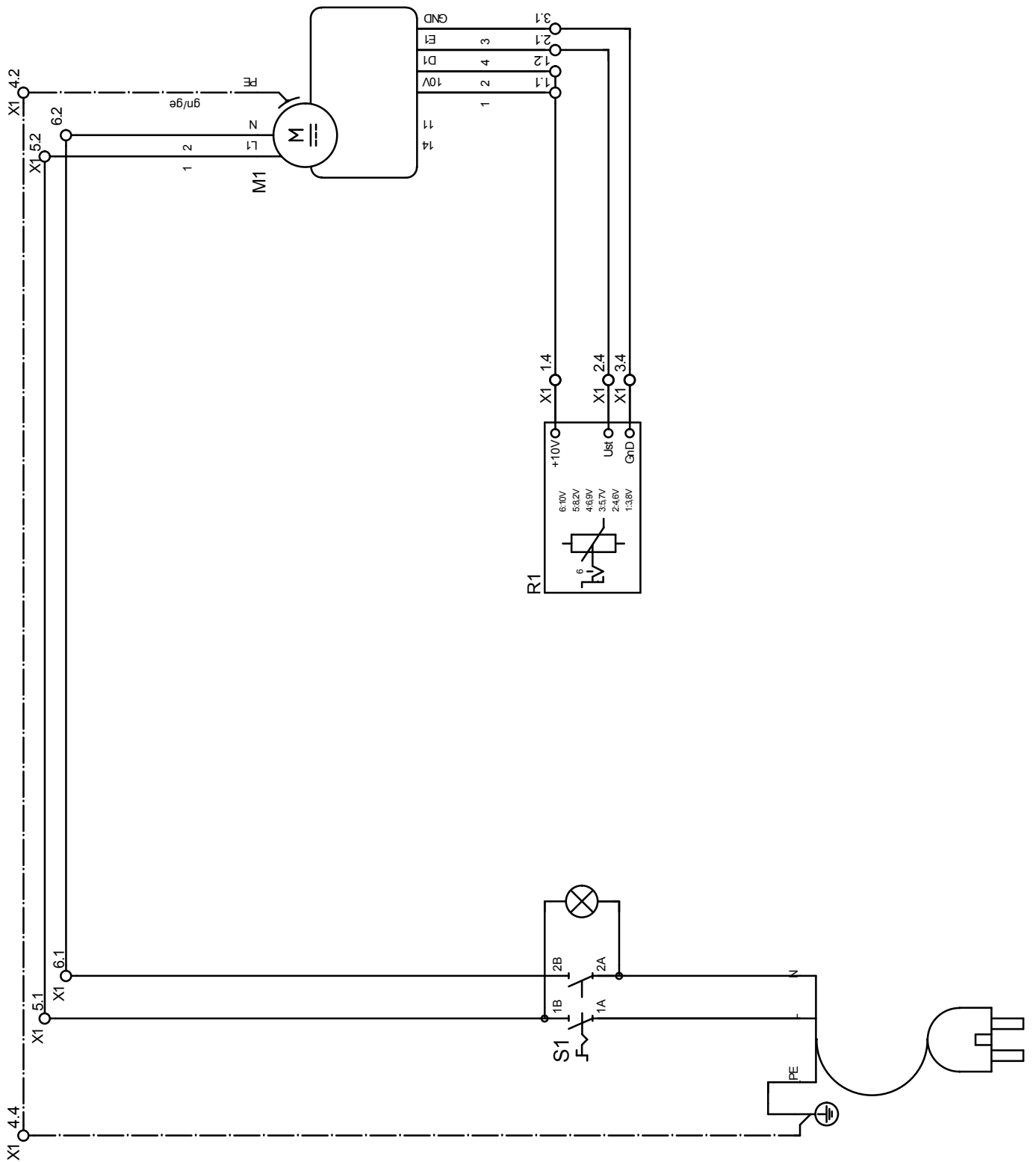
2. Remove the filter from the holder.
3. Insert the new air filter into the device.
4. Put the air inlet back on the device and tighten the screws on both sides of the device.



Technical annex
Technical data

Parameter	Value
Model	TAC BASIC
Article number	1.580.000.139
Max. air volume (standard H14 HEPA filter) Max. air volume in filter class (approx.)	H14 ≤ 1,000 m ³ /h H13 ≤ 1,600 m ³ /h
Possible clean air zone	Depending on the air change rate per hour (ACH) required in the hygiene concept as well as on the required filter performance efficiency (H14 or H13)
Prefilter for air filter	G4 Z line (EN 779:2002), 75 % coarse (ISO 16890)
Mains connection	220–240 V, 50 / 60 Hz
Average power consumption	0.16 kW for 900 m ³ /h air volume 0.75 kW maximum
Connection plug	CEE 7/7, H07RN-F
Type of protection	IP23
Nominal current	3.5 A
Fusing	6 A
Max. sound level without sound protection hood (distance 1 m)	41 - 64 dB(A)
Max. sound level with sound protection hood (distance 1 m)	40 - 64 dB(A)
Dimensions (length x width x height)	510 x 610 x 1300 mm
Minimum distance to walls and other objects:	top (A): 50 cm rear (B): 50 cm sides (C): 50 cm front (D): 50 cm
Weight	76 kg

Circuit diagram

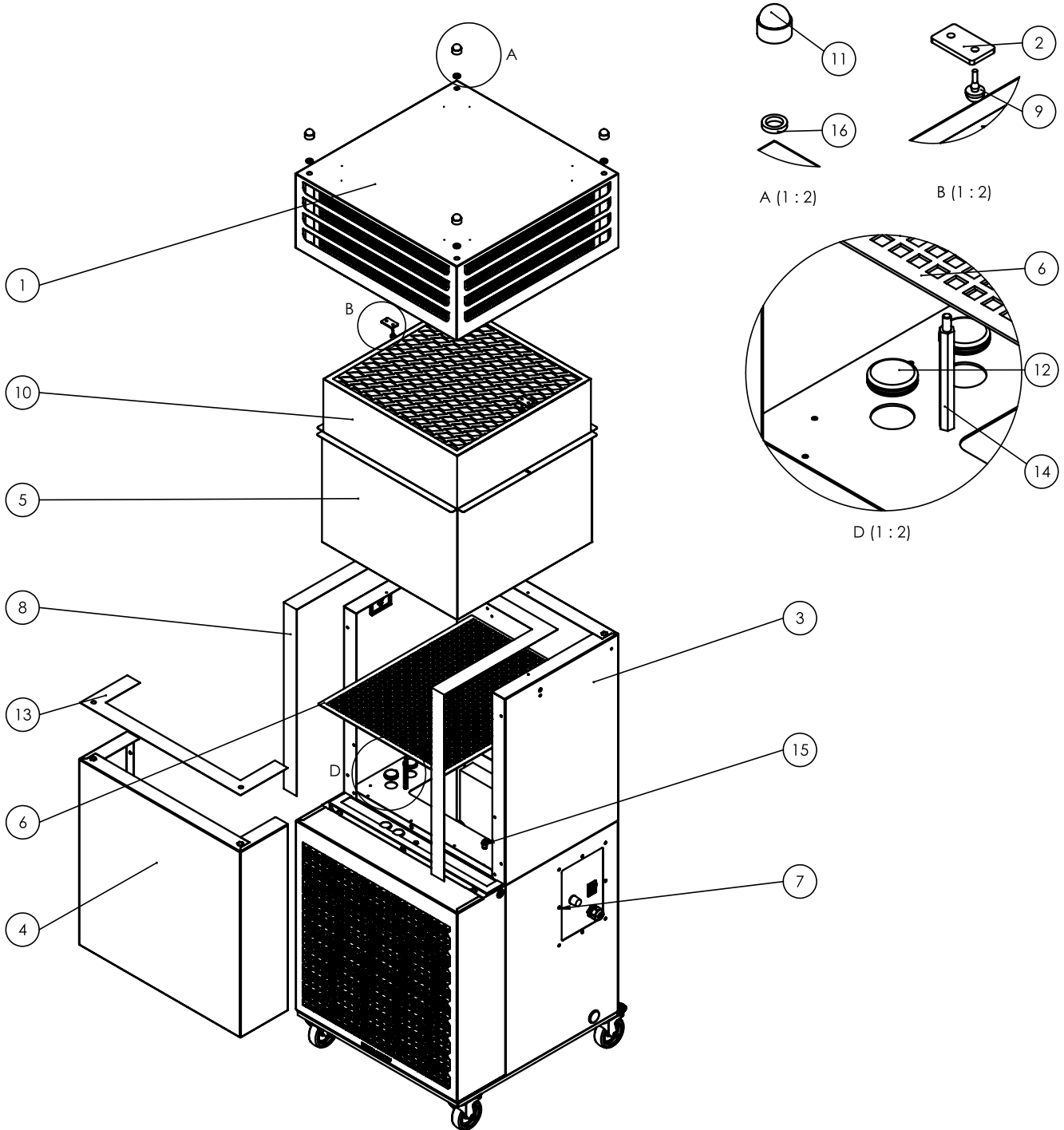


Spare parts drawing and list



Info

The position numbers of the spare parts differ from those describing the positions of the components mentioned in these instructions.



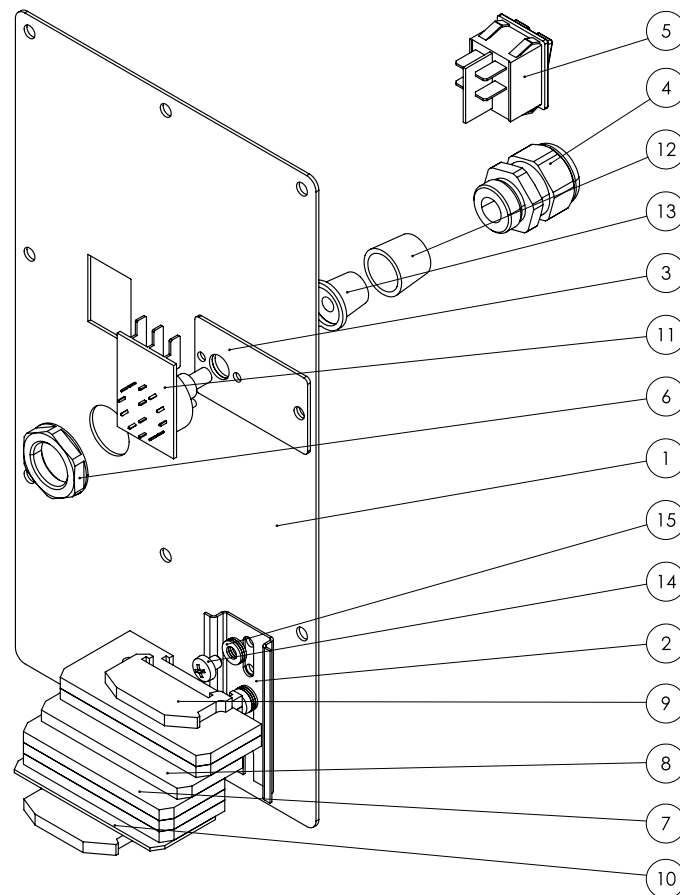
No.	Spare part	No.	Spare part	No.	Spare part
1	Air flap cover	7	Bottom section	13	Gasket strip
2	Hold-down device	8	Gasket strip	14	Spacer sleeve
3	Top housing	9	Rubber buffer	15	Screw connection
4	Front panel	10	Air filter	16	Washer
5	Filter case	11	Protective cap		
6	Finger protection	12	Sealing plug		

Operating panel



Info

The position numbers of the spare parts differ from those describing the positions of the components mentioned in these instructions.



No.	Spare part	No.	Spare part	No.	Spare part
1	Control unit	6	Nut	11	Switch for fan stage selection
2	DIN rail	7	Feed-through terminal (FRK)	12	Cap
3	Lock against rotation	8	Feed-through terminal (FSL)	13	Rotary button
4	Cable gland	9	End stop	14	Screw
5	Switch	10	End plate	15	Washer

Disposal



The icon with the crossed-out waste bin on waste electrical or electronic equipment stipulates that this equipment must not be disposed of with the household waste at the end of its life. You will find collection points for free return of waste electrical and electronic equipment in your vicinity. The addresses can be obtained from your municipality or local administration. You can also find out about other return options that apply for many EU countries on the website <https://hub.trotec.com/?id=45090>. Otherwise, please contact an official recycling centre for electronic and electrical equipment authorised for your country.

The separate collection of waste electrical and electronic equipment aims to enable the re-use, recycling and other forms of recovery of waste equipment as well as to prevent negative effects for the environment and human health caused by the disposal of hazardous substances potentially contained in the equipment.

Declaration of conformity

The text below sets out the contents of the declaration of conformity. The signed declaration of conformity can be found at <https://hub.trotec.com/?id=45166>.

Declaration of conformity

in accordance with the EC Machinery Directive 2006/42/EC,
Annex II, Part 1, Section A

Herewith, we – Trotec GmbH– declare that the machinery designated below was developed, constructed and produced in compliance with the requirements of the EC Machinery Directive in the version 2006/42/EC.

Product model / Product: TAC BASIC

Product type: high-performance air purifier

Year of manufacture as of: 2021

Relevant EU directives:

- 2011/65/EU: 01/07/ 2011
- 2014/30/EU: 29/03/2014

Applied harmonised standards:

- EN ISO 12100:2010
- EN 55011:2016
- EN 55011:2016/A1:2017
- EN 55011:2016/A11:2020
- EN 60204-1:2018
- EN 60335-1:2012
- EN 60335-1:2012/A11:2014
- EN 60335-1:2012/A13:2017

- EN 60335-1:2012/AC:2014
- EN 60335-2-65:2003
- EN 60335-2-65:2003/A11:2012
- EN 61000-6-1:2007
- EN 61000-6-3:2007
- EN 61000-6-3:2007/A1:2011
- EN 61000-6-3:2007+A11:2011+AC:2012

Applied national standards and technical specifications:

- EN ISO 14118:2018

Manufacturer and name of the authorised representative of the technical documentation:

Trotec GmbH

Grebberer Straße 7, D-52525 Heinsberg

Phone: +49 2452 962-400

E-mail: info@trotec.de

Place and date of issue:

Heinsberg, 25.01.2021

Detlef von der Lieck, Managing Director

Trotec GmbH

Grebener Str. 7
D-52525 Heinsberg

☎ +49 2452 962-400

☎ +49 2452 962-200

✉ info@trotec.com

www.trotec.com