



# SIRION

## SIRION characteristics:



### Time delay of the fan

Due to protection of the air curtain against overheating, fans operate for 30 seconds after switching off the heater.



### Remote control

It enables convenient remotely control of device and ability to choose the fan speed and power of electric heater.



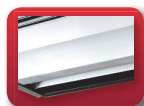
### Automatic protection against overheating

It protects the air curtain heating elements against overheating, considering the lifecycle of the device.



### Integrated control panel

The additional ability to control the device when the remote controller is not available.



### Adjustable outlet grille

It allows to adjust the air stream direction to increase the efficiency of the air curtain.

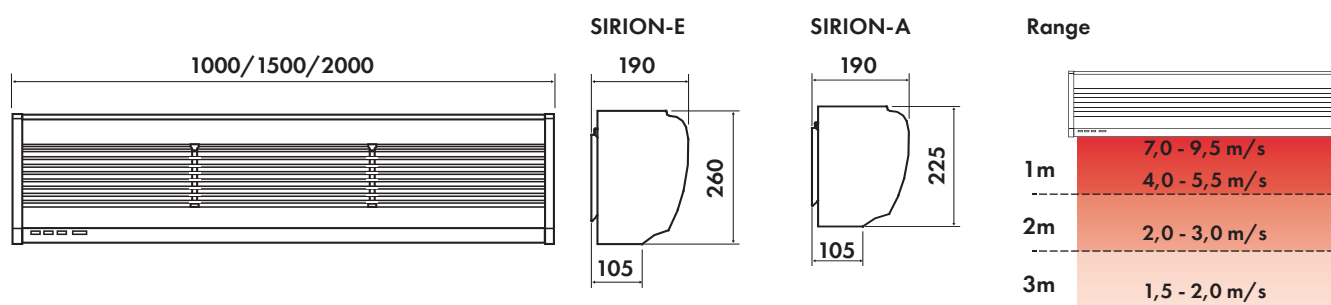


### Aluminium air intake grill

Aesthetics and quality of the air curtain components allow for installation in areas with superior aesthetics requirements.



## Technical drawing



## Technical data of SIRION-E (with electric heater)

MODEL	Voltage/ frequency [V~/Hz]	Motor power [W]	Heater power [kW]			$\Delta t$ [°C]	Air velocity [m/s]		Airflow [m³/h]		Noise level [dB]		Netto weight [kg]
			I	II	III		min.	max.	min.	max.	min.	max.	
<b>SIRION 100-E3,5</b>	230/50	180	1,75	3,5	-	7,9	8,5	9,5	1110	1330	56	57	14,5
<b>SIRION 100-E6</b>	400/50	180	2,0	4,0	6,0	13,5	8,5	9,5	1110	1330	56	57	14,5
<b>SIRION 150-E10</b>	400/50	230	3,3	6,7	10,0	13,6	8,5	9,5	1900	2200	57	59	18,5
<b>SIRION 200-E14</b>	400/50	330	4,5	9,0	14,0	13,5	8,5	9,5	2800	3100	59	61	26,5

## Technical data of SIRION-A (without heater)

MODEL	Voltage/ frequency [V~/Hz]	Motor power [W]	Air velocity [m/s]		Airflow [m³/h]		Noise level [dB]		Netto weight [kg]
			min.	max.	min.	max.	min.	max.	
<b>SIRION 100-A</b>	230/50	180	9	11	1300	1600	55	57	10
<b>SIRION 150-A</b>	230/50	230	9	11	2000	2500	57	59	15
<b>SIRION 200-A</b>	230/50	330	9	11	2900	3600	59	61	20