

AIR COOLER
INSTRUCTION MANUAL



MOD. FRE80



NEW WITH UV DEVICE FOR WATER STERILIZATION

Important information for environmentally friendly disposal

IN SOME EU COUNTRIES THIS PRODUCT DOES NOT FALL INTO THE SCOPE OF APPLICATION OF THE ITALIAN DOMESTIC LAW ACKNOWLEDGING THE RAE DIRECTIVE AND THEREFORE THERE IS NO OBLIGATION IN FORCE TO SEPARATE MATERIALS AT THE END OF THEIR USEFUL LIFE.

This product complies with Directive 2012/19/UE. The symbol of a dustbin with a cross, which is shown on the appliance, indicates that the product, because it must be treated separately from household waste, must be taken, at the end of its useful life, to a collection center for electrical and electronic equipment or redelivered to the retailer on purchase of a new equivalent appliance. The user is responsible for delivering the appliance to the appropriate collection structure at the end of its life, on penalty of the measures provided for by current legislation on waste. The proper separate collection for subsequent transfer of the appliance for recycling, treatment and environmentally friendly disposal contributes to avoiding any possible harmful effects on the environment and health and promotes recycling of the materials that make up the product. For more detailed information on the available collection systems, contact the local refuse disposal service or the shop where the purchase was made. The producers and importers meet their responsibilities for recycling, treatment and environmentally friendly disposal either directly or through participating in a collective system.



This appliance can be used by children aged from 8 years and above and persons with reduced physical, sensory or mental capabilities or lack of experience and knowledge if they have been given supervision or instruction concerning use of the appliance in a safe way and understand the hazards involved. Children shall not play with the appliance. Cleaning and user maintenance shall not be made by children without supervision

If the supply cord is damaged, it must be replaced by the manufacturer, its service agent or similarly qualified persons in order to avoid a hazard.

The ultraviolet ray from the UV lamp is harmful to human eyes and skin. **USER IS NOT ALLOWED TO OPEN THE MACHINE AND THE UV LAMP COVER.**

Thank you for purchasing our air cooler. Please read all the instructions in detail before first time use, to ensure proper use of the unit. Also, please keep the manual for future reference.

ANTIBACTERIAL UV WATER STERILISATION DEVICE



The **BREZZA** cooler you have purchased has a distinctive feature to aid personal health.

It is equipped with a UV lamp to sterilise water and prevent the formation of bacteria (such as legionella, for instance) and mould.

When in use, our **BREZZA** cooler prevents the development of pathogens caused by stagnant or contaminated water.

Star Progetti is the first to adopt this solution, which is part of our corporate strategy aimed at offering customers the best possible product with a full guarantee of well-being and health.

The UV lamp lasts for an average of 7000 hours, equivalent to several years of use during the summer.

If the UV lamp needs replacing, contact Rubisolis.

PRODUCT FEATURES

- Cool

It cycles the water to blow cool air. It can lower the surrounding temperature and provide you a comfortable environment in hot summer.

- Energy saving, high-efficiency, friendly environment

The input power is 450 W.

- Wide range of air output, 100 angle wide range of air output. The outlet will colse when the power supply is off. 3 fan speeds: HIGH-MID-LOW

- Remote Control

6 meters remote control, 120 angle wide range receiver

- Beep sound reminder

It has beep sound reminder function, convenient to use.

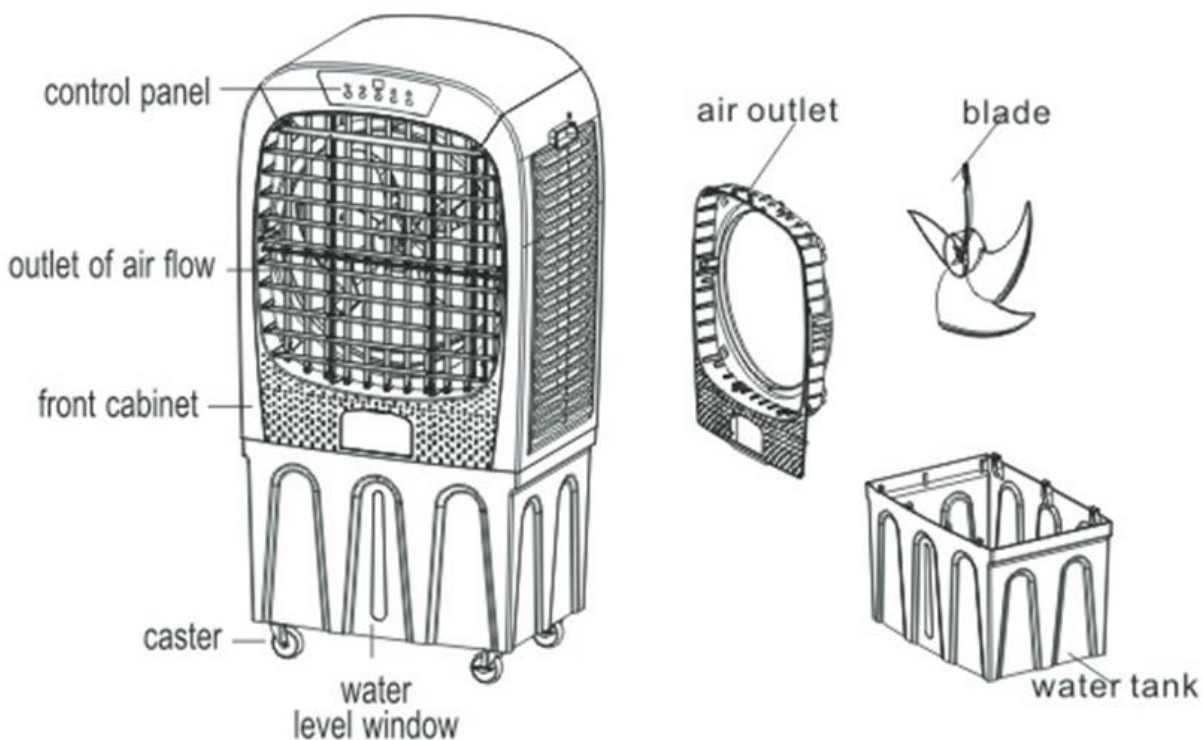
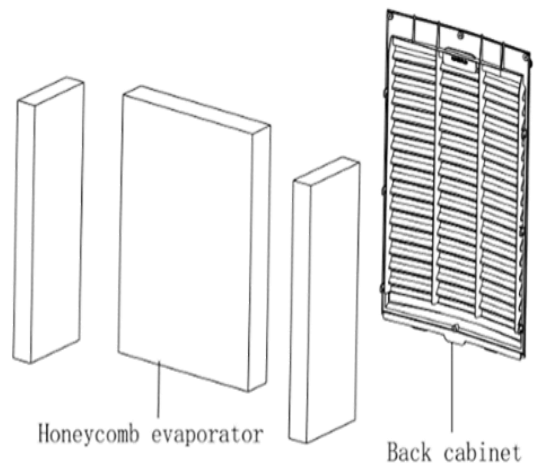
- High grade computer control system.

- 1 to 24 hours timer setting

- Connection to the water supply

- Outlet air temperature

Indication of the outlet air temperature on the display.



ACCESSORIES LIST

sequence	Accessory name	Quantity(pcs)
1	remote controller	1
2	instruction manual	1
3	caster with skid	2
4	caster without skid	2

TECHNICAL PARAMETERS

MODEL BREZZA	FRE80
Ratings	220-240 V / 50 Hz 450 W
MAX Air Flow Consumption	8000 m ³ /h
MAX Water Volume	80 l
Net Weight	20,52 kg
Measurements	679x440x1294 mm

MODEL UV BULB	E17-3W Mini UV bulb
Ratings	AC 10V 3W

Note: Due to constant development of our products in regards to specification and design, we take reservation for changes without prior notice.

OPERATION INSTRUCTION

1. Pull the unit outwards from the carton and place it on a solid hot-proof horizontal surface.
2. Check if the accessories are complete, same as the accessories list.
3. Place the unit on a solid hot-proof horizontal surface. Take out the casters and caster wrench to assemble.

Note: Casters with skid are for the two front holes and casters without skid are for the two back holes at the bottom of the unit.(shown as fig.1)

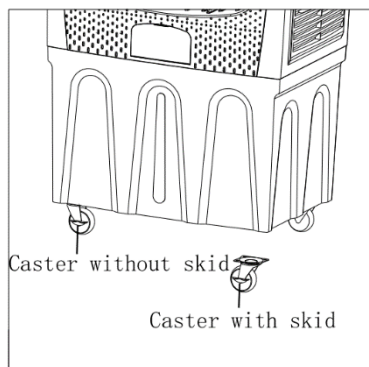


fig.1

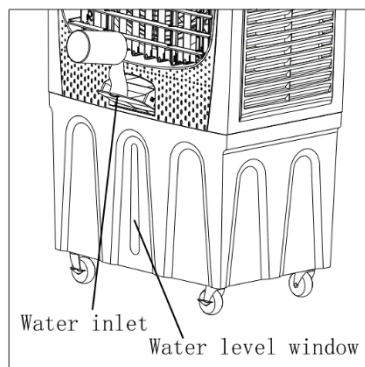


fig.2

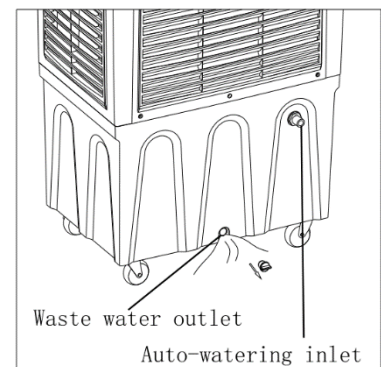


fig.3

4. Add water from the water inlet on the front cabinet.(shown as fig.2)

Note:

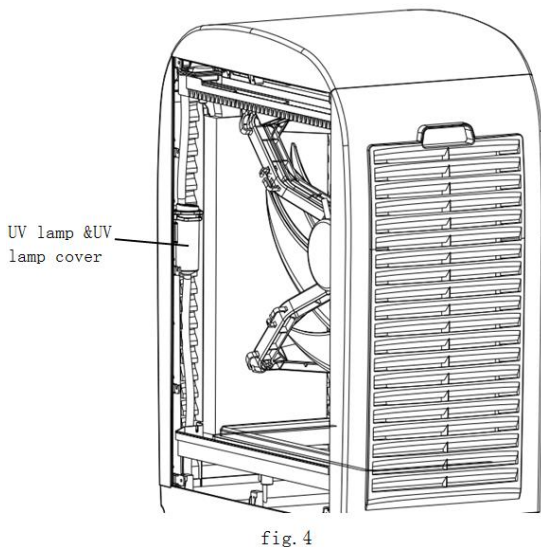
- a) Water level must be between the MIN and MAX line.(shown as fig.2)
- b) After some time operation, dust and dirt may occur in water tank. It is recommended to change the water and clean water tank frequently.He waste water in the water tank can be discharged from the water outlet on the back cabinet.(show as fig.3)
- c) Alternatively, attach a hose to the water inlet on the back side for automatic filling. Note a pressure reducing valve is recommended for high pressure water supplies.

- 5. Only use the unit with correct AC outlet.
- 6. Insert the plug pin into a wall socket. A small beep sound can be heard and the power indicator will be on.

Note:

- A. To protect against electric shock, do not remove plug from wall outlet by wet hand.**
- B. Unplug from outlet while moving the unit.**
- C. Insert the plug pin into the wall socket and make sure it is connected well.**

- 7. Press “ON” button to make the unit ready for working. Press “COOL” button to improve the air damp, avoid skin dry and spall in winter. When press “COOL”, the built-in UV lamp start working, the ultraviolet ray can sterilize the water flowing through the UV lamp cover(shown as fig.4).



SAFETY WARNINGS



BEFORE ANY MANUAL WATER FILLING OPERATION, CLEANING AND MAINTENANCE, TURN OFF THE DEVICE AND REMOVE THE PLUG FROM THE ELECTRIC SOCKET.

CONTROL PANEL

(Remote controller control panel with the same function as the unit control panel)



ON/OFF: Press once this button to make the unit ready for working. It will start up with MID in 3 seconds and then revert to work under the memorized status. If for first time use, it will start up with MID in 3 seconds and then work with LOW.

Press again this button to turn OFF.

SPEED: Press this button to select desired fan speed, LOW→MID→HIGH→LOW, in turn. At the same time can digital display 1.2.3.

SWING: Press once this button to make horizontal swing of vertical louvers, the SWING indicator will be displayed. Press again for fixed air direction. To directing vertical airflow, adjust the horizontal louvers manually.

COOL: During operation, press this button to start the evaporative cooling function, the water pump and the UV lamp start to run; When you press this button again, the water pump and the UV lamp stop working (first ON, second OFF). And both the water pump and the UV lamp stop working when there is no water.

In order to avoid splashes of water when the panel is dry, the operating procedures of the water pump and the motor are the following, the water pump will work intermittently for 3 minutes, after 3 minutes it will work normally; The motor will run at low wind speed for 3 minutes, after 3 minutes it will resume operation with the previously set wind speed.

TIMER: It can be set between 24 hours, increased by 1 hours intervals.

Water shortage detector.

After 5 seconds from pressing the "Cool" button, the water shortage detector activates. In case of lack of water, the water pump will stop working, the "COOL" indication light will start to flash and will cause the "Beep" to sound, for 30 seconds per cycle.

At this point, fill the water tank. The flashing light and the "Beep" sound will stop. Press the "Cool" button again to restart the cooler.

If you do not fill the tank with water, the light will continue to flash, while the "Beep" sound will stop after 5 minutes.

IMPORTANT PRECAUTIONS

1. READ ALL INSTRUCTIONS BEFORE USE.
2. DO NOT open and repair the appliance by unqualified personnel.
3. To avoid electric shocks, keep the appliance dry. Do not use with wet hands.
4. Remove the plug from the socket when filling the water tank, cleaning, maintenance or moving the appliance.
5. Remove the plug when not using the appliance.
6. Do not insert other objects into the air port while the appliance is operating.
7. Do not cover the unit with paper, cardboard, plastic, aluminum foil or other flammable materials while it is operating. Otherwise, fire may occur. Keep the appliance away from any heat sources.
8. Lay the appliance on the floor.
9. This product is not intended for use in wet or damp locations.
10. The water level must be between the MIN and MAX lines.
11. After filling the water tank, do not tilt the appliance or move it to prevent water from leaking from the sides of the tank and outside the appliance. If you need to move the appliance slightly, slowly push it to one side.
12. Do not tip the appliance on its side after filling the tank.
13. Do not place objects on the appliance or cover the door while the appliance is in operation.
14. Do not use gasoline, toluene etc. to clean the body of the appliance. To remove a light layer of dirt, remove it with a soft damp cloth. To remove traces of grease, squeeze a little toothpaste or mild detergent onto a soft, damp cloth and remove the dirt.
15. Do not hit or shake the appliance during operation.
16. After a few days of use, dirt and dirt may accumulate in the water tank. It is recommended to change the water and clean the tank frequently.
17. Do not place the appliance under an electrical outlet.
18. Empty the water tank to prevent the formation of unpleasant odors when the appliance is not in use.
19. Do not use in case of malfunction. Send to the repair center.
20. Do not use the appliance for purposes other than those established.

21. Do not use the appliance if the electric cable is damaged. Send to the repair center. If the power cord is damaged, it must be replaced with a cable or other specific piece provided by the manufacturer or his service representative.
22. Make sure that children do not touch the airflow port while the appliance is operating.
23. Keep the cord away from sharp or hot objects.
24. Do not clean with metal-containing cloths, which could scratch the surface or cause electric shocks.
25. Do not clean with flammable liquids.
26. Do not connect the appliance to the same outlet as any other electrical devices.
27. To disconnect the appliance, deactivate all functions, press the OFF button and remove the plug from the wall socket.
28. Do not insert new and exhausted batteries into the remote control at the same time.
29. Remove the batteries from the remote control when not using it.
30. The product can not be used by people (including children) with physical, sensory or mental impairments, or by personnel without adequate experience and knowledge (including children), if not in the presence of a person with the necessary skills, responsible for the safety of the previously listed categories and providing supervision and guidance on the use of the products and ensuring safe use.
31. Make sure that children do not play with the product and do not touch the air port while the appliance is plugged in or operating.
32. Do not cover the door when the appliance is operating.
33. When open the UV lamp cover for repairing or testing, operators should wear UVC anti-penetration glasses and protective masks, to protect the eyes and exposed parts of the human body from being hurt by ultraviolet radiation.

MAINTENANCE AND CLEANING

Note:

After long time operation, the filtration mesh becomes clogged with dust and dirt, which will greatly affect the unit's performance. It is recommended to clean the filtration mesh frequently.

Cleaning the filtration mesh

1. Remove plug from power.
2. Loose screw, catch the filtration mesh handle and pull upwards.
3. Clean filtration mesh with mild detergent and soft brush.
4. Make sure filtration mesh is completely dry before installing.

Cleaning the water tank

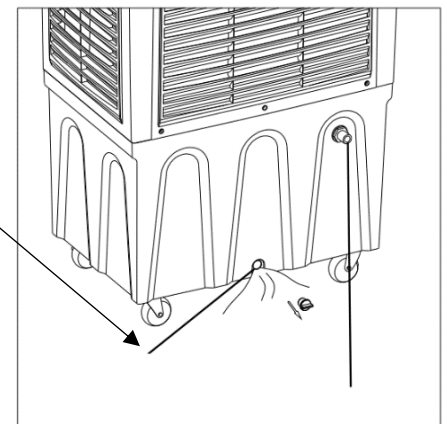
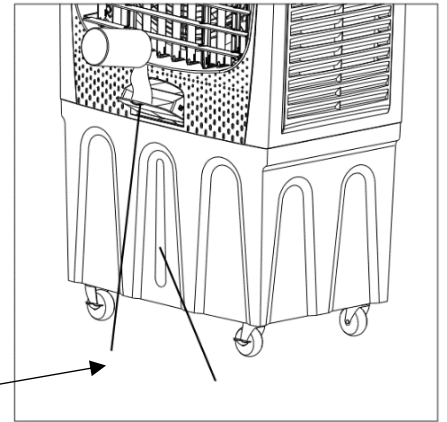
1. Remove plug power.
2. Add water from the water inlet in front side
3. Throw out the dirty water from the back water outlet

Cleaning the body

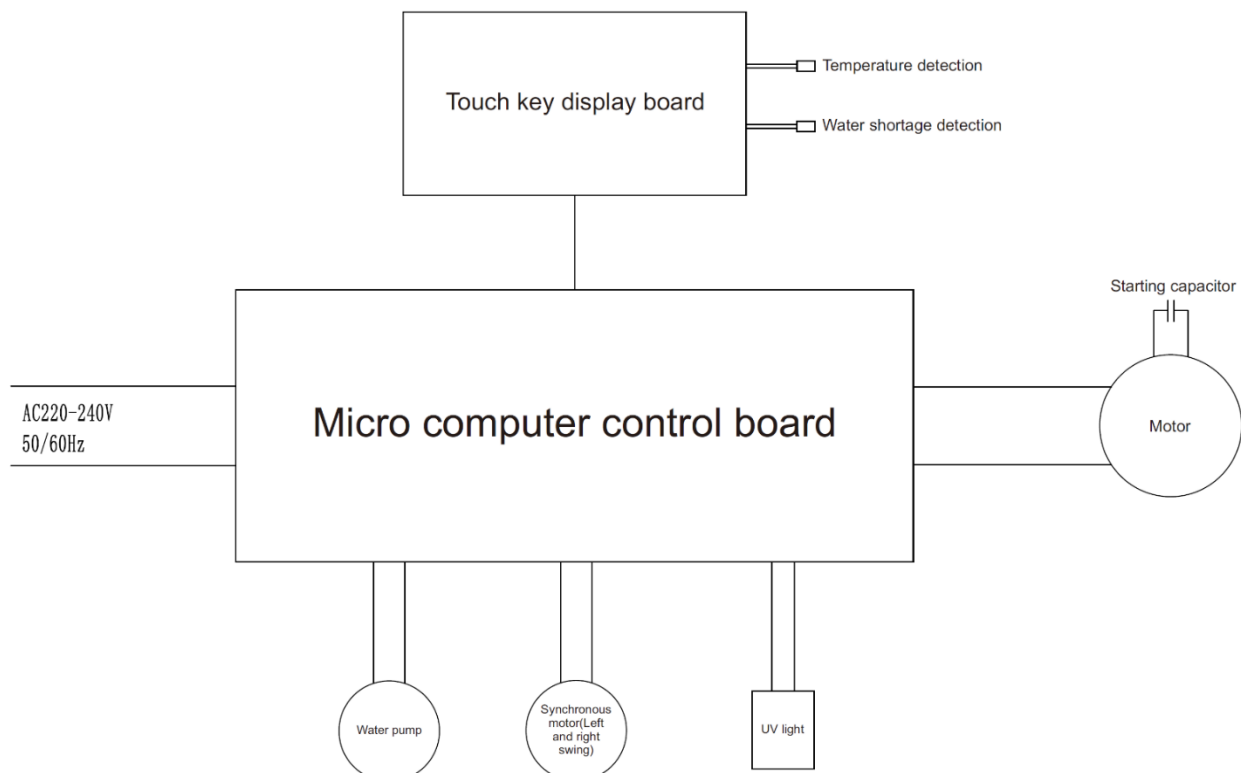
Clean the body with a little mild detergent on a cotton cloth.

Note:

- Unplug from outlet before cleaning.
- No water on the control panel.



CIRCUIT DIAGRAM



TROUBLE SHOOTING

If there is something wrong during operation, it may not be the unit's problem. You may check against the following list before send for repair.

Problems	Possible reasons	Solutions
Not working	1. The plug is not securely inserted into the socket or not connected well. 2. The "ON/OFF" button is not pressed.	1. Insert the plug pin into the wall socket and make sure it is connected well. 2. Press "ON/OFF" button after plugged.
Cool effect not good	1. Water tank not enough water 2. Water pump is obstructed.	1. Add water to ensure there is enough water for pumping 2. Clean water tank discharge impurities.

NOTE:

THIS INSTRUCTIONAL CHART IS FOR REFERENCE PURPOSES ONLY, IF ANY TECHNICAL ASSISTANCE IS NEEDED, PLEASE CALL STAR PROGETTI'S OFFICES FOR SERVICE/REPAIR AT NO. 02/90639261 ext. 2

RECOMMENDATIONS FOR USE

- In order to avoid any water sprays to come out from the fan, the cooler, under normal working conditions, should be placed on a flat surface, and its cellulose panels perpendicular to the floor.
- When it is first switched on, it is recommended to fill the tank as per instructions and run one-hour cycle at least with the COOL function ON and the fan operating speed set to the minimum. If the appliance is operated at the maximum air flow from the very start, it may cause the passage of water from the cellulose panel to the fan, causing water sprays from the front of the cooler and possible damages to the bearing of the fans themselves.
- The first time it is switched on, you might feel an unpleasant smell of the cooled air, caused by the new cellulose panel. We suggest you should complete at least one cooling cycle outdoors in an open space (fill a water tank, start the COOL function and let the appliance work until it finishes water completely), before positioning and using it at the final place.
- You can also add ice to water, to maximise the appliance performance in the hottest weather, as well as scented essences (to distribute cooled and scented air in the zone of use). Be however sure to use water-based essences so as to avoid clogging the filter by oils or soaps, which may affect the effectiveness and proper functioning of the cooler.
- It is suggested to run a lime washing cycle at least once in a year, by adding one litre of white vinegar in the water tank and activating the COOL function until the tank is completely exhausted. Once the cycle with vinegar is ended, fill again the tank by water only and repeat the procedure.



ANTI-LIMESCALE FILTER, EXTERNAL, WITH POLYPHOSPHATES, FOR CONNECTION TO WATER NETWORK

PROTECTING YOUR ECOFRESH AIR COOLER AGAINST LIMESCALE

ANTI-LIMESCALE FILTER TO BE APPLIED AT THE OUTLET OF THE WATER TAP, SUPPLYING THE COOLER TANK.
THANKS TO THIS EFFECTIVE SYSTEM, YOU CAN PROTECT YOUR AIR COOLER AGAINST LIMESCALES WHICH, IN THE LONG
RUN, MIGHT DAMAGE THE PUMP.

MADE OF HIGH RESISTANCE AND HIGH QUALITY PLASTIC MATERIAL, IT NEEDS THE INVOLVEMENT OF A PLUMBER TO
INSTALL IT.

THE FILTER IS SUPPLIED WITH POLYPHOSPHATES CHARGE, READY TO BE INSTALLED.
ONCE ITS EFFECTIVENESS HAS BEEN DEPLETED, IT IS ENOUGH TO RECHARGE IT BY ADDING MORE POLYPHOSPHATES, THAT
CAN BE PURCHASED AT ANY HARDWARE STORE.

CHARACTERISTICS :

- Working temperature : 0°C. + 50°C min./max.
- Storing time: max. 12 months.
- CONNECTION TO THE NEWTWORK : In/Out 3/4" M.F.

Warning:
DO NOT USE AS DRINKING WATER!



CERTIFICATE OF GUARANTEE

We congratulate you on the purchase of our FRE80 **Validity 12 months** from date of purchase of the appliance: the guarantee expires after this period. The invoice, receipt or hire purchase agreement shall prove the duration of the guarantee period. Replacements and repairs caused by faulty materials or manufacture are guaranteed. Replacements and repairs to those parts of the appliance subject to normal wear are excluded from this guarantee. The guarantee shall immediately cease and become void should the appliance be dismantled or repaired by unauthorized people, or in case of negligence, or accidental damage during transport or elsewhere, or in case of misuse, failure to comply with the instructions for use, maintenance carried out by unauthorized people, faulty installation not in conformity with the laws in force. Replacement of the appliance is excluded from this guarantee. The eventual repairs recognized in guarantee will be carried out free of charge for those appliances returned free STAR PROGETTI's factory or to one of the authorized distributor. All transport costs are to be paid by the customer.

N. SERIE / N. SERIE / APPLIANCE No.

DATA ACQUISTO / DATE D'ACHAT / DATA OF PURCHASE

FATTURA N. / FACTURE N. / INVOICE No.

RIVENDITORE / REVENDEUR / DEALER

Brezza 80

STAR PROGETTI



STAR PROGETTI
TECNOLOGIE APPLICATE



www.tuv.com
ID 1419065734



02/2020